

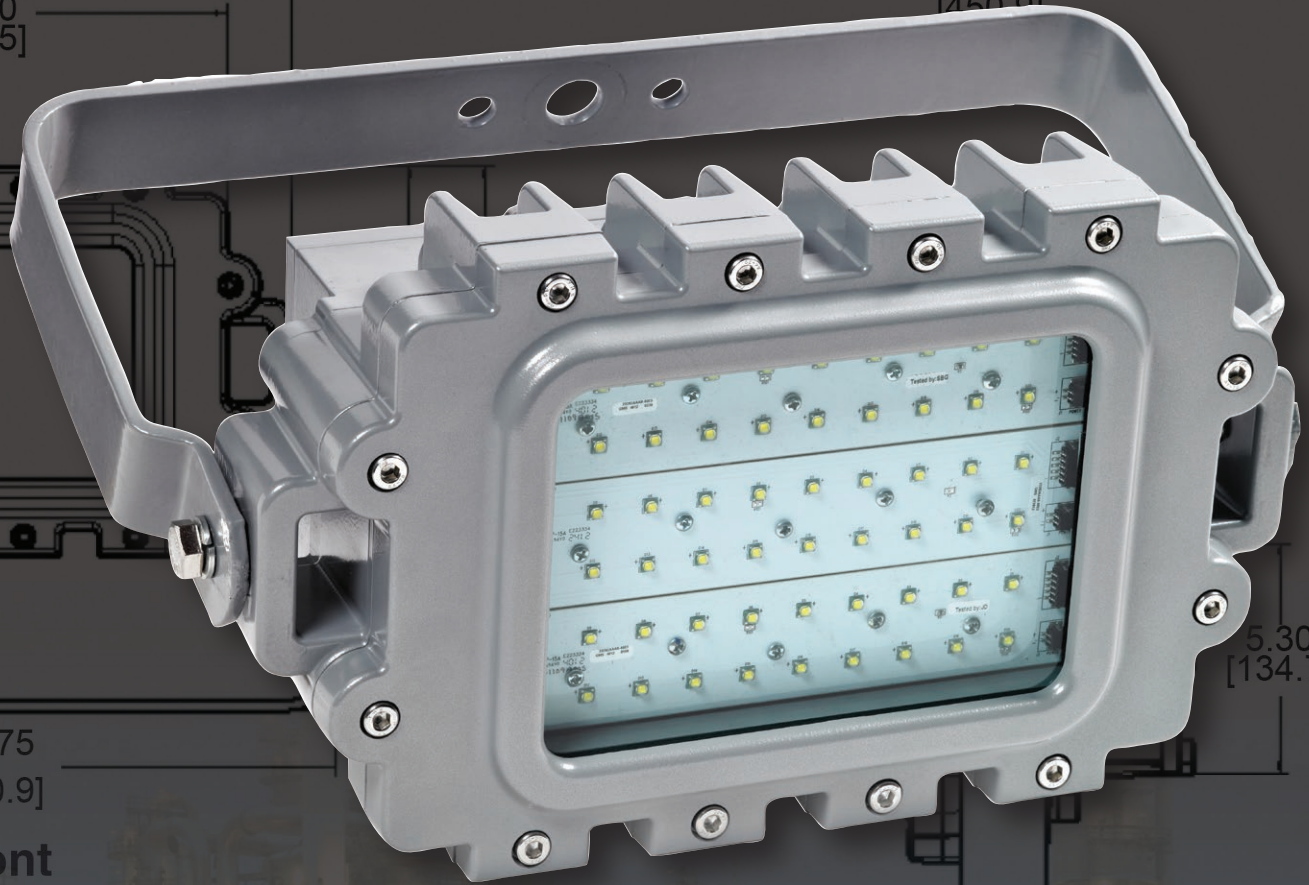


Harsh & Hazardous

KILLARK®

KF1L Series LED TECHNOLOGY

*for Harsh and Hazardous
Environments*



17.75
[450.9]

Front

6.91
[175.5]

4.27
[108.5]

Side

2.00
[50.8]

5.30
[134.7]

17.75
[450.9]

15.65
[397.4]

12.50
[317.5]

12.50
[317.5]

9.36
[237.7]

DIA.
3)

True to
Detail

2



KF1L SERIES

KILLARK

C1D1 FLOOD – INTRODUCTION & LOGIC



PETROBRIGHT® LED

FEATURES-SPECIFICATIONS

Applications

LED KF1L Series Explosion-proof Floods are designed for installations where moisture, dirt, dust, corrosion and vibration may be present, or Type 3 and 4X areas where wind, water, snow or high ambients can be expected. They can be used in locations made hazardous by the presence of flammable vapors or gases or combustible dusts as defined by the NEC/CEC/IECEX/ATEX & INMETRO

Typical applications include manufacturing plants, and certain chemical and petrochemical processing facilities, sewage treatment plants, off-shore and dockside installations, garages and storage facilities

Compliances

- UL-8750 for LED lighting
- ANSI/UL 1598A
- UL-844 Standard for lighting fixtures for hazardous locations, Class I, Division 1; Class II, Division 1; Class III
- CSA C22.2 no. 137-M1981 electric luminaires for use in hazardous locations
- Zone 1 and Zone 21 to IEC 60079-0,60079-1,60079-31, 60079-7 Standards
- Enclosed and gasketed
- Type 3, 4X
- IP66

Materials

- Body, end caps and lens frame corrosion resistant copper-free aluminum alloy with baked powder epoxy/polyester finish, electrostatically applied for complete, uniform corrosion protection
- All external hardware - stainless steel
- Thermal shock and impact resistant extra heavy-duty glass lens
- High temperature silicone gasketing
- Trunnion heavy gauge 316 SS



LED Flood Features and Standards

Supplemental **20KA/10KV Surge Protection** is **standard** (for 120-277 VAC models)
10KA/10KV Surge Protection (for 347-480 VAC)

- **Factory Sealed Construction**
- One 3/4" NPT & one M20 entry standard (see logic for other choices)
- Crisp White Light for Excellent Color Rendering – Chromaticity 5000 K (CCT); approx. 70 CRI
- Energy Savings – High lumens per watt
- LED Array Life – 100,000+ hours with 70% initial lumens
- Long Fixture Life – 50,000 - 55,000 maintenance free hours
- Instant On – Including after power interruption
- World Voltage 120 – 277VAC 50/60Hz
- Solder-LESS LED Board Connections – Vibration Resistant

Class I, Div. 1&2, Groups B,C,D
Class I, Zone 1&2, Groups IIB+H2, IIA
Class II, Div. 1&2, Groups EFG, Class III
Enclosure Type 4X, IP66 (-50°C to +55°C)

cSP us File LR11713

IEC Ex Rated model (w/IEX or IEX4B suffix) Zone 1, Zone 21

Ex de IIB+H2 T6..T5, Gb, IP66
Tamb -20°C ≤Ta ≤ +55°C; Option LT for -50°C ≤Ta ≤ +55°C

Ex de IIB T6..T5, Gb, -50°C ≤Ta ≤ +55°C
Ex tb IIIC T90°C Db, -50°C ≤Ta ≤ +55°C

IECEX Certificate
CSA 14.0010

ATEX Certificate
SIRA14ATEX1159X

Patent Pending
Fixture
Design



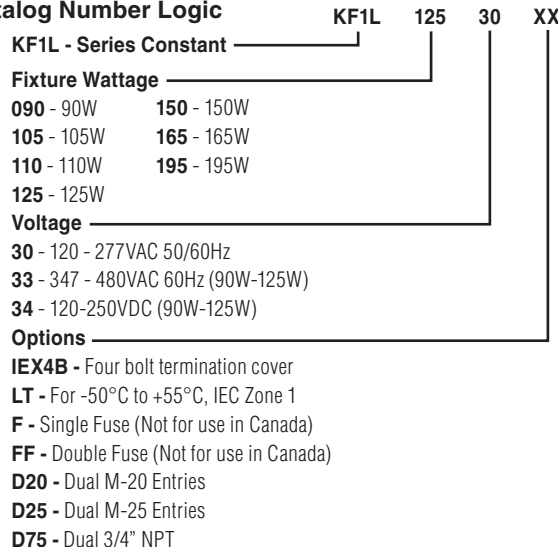
KF1L with KFS-6 Slipfitter mount on 2" pipe



Dark Sky Visor
KF1L-DARK

Suitable for Paint
Spray

Catalog Number Logic



Construction/Certification Notes:
 KF1L units are standard with one 3/4" NPT hub & one M20 hub – both plugged, with an 8-bolt factory sealed termination chamber, suitable for CID1 BCD -50°C to +55°C and IEC Zone 1 Ex de suitable for -20°C to 55°C.

Use option LT for models needing IEC Zone 1, -50°C to +55°C suitability for hydrogen.

Option IEX4B utilizes 4 terminal cover bolts for Ex de and maintains all ratings **EXCEPT CID1 BCD.**

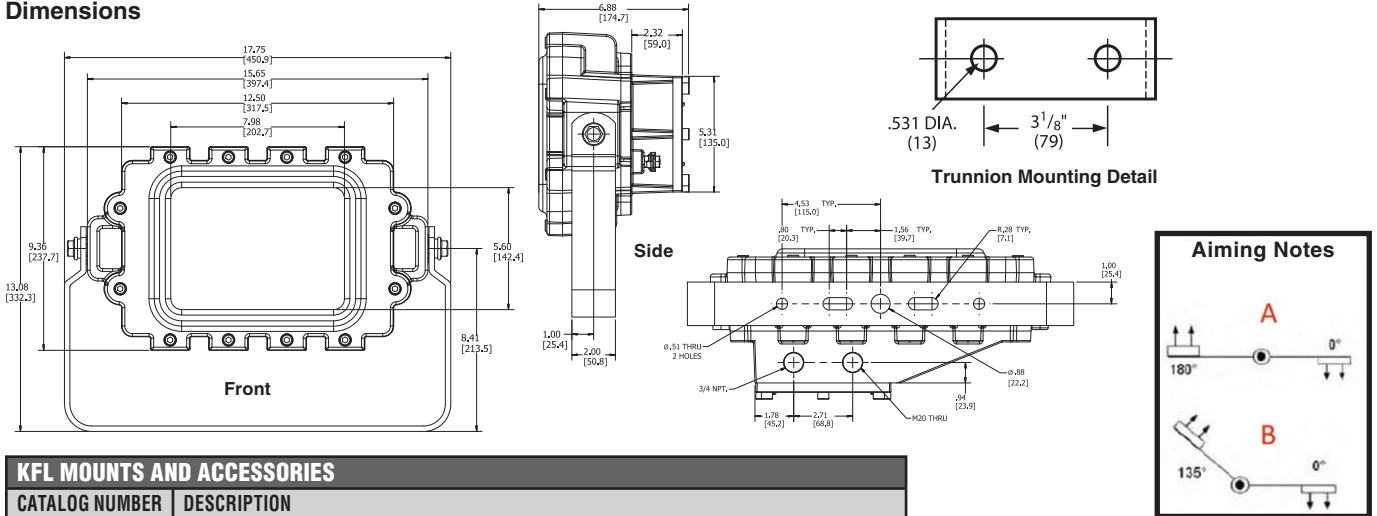
See logic for other entry options



C1D1 FLOOD – ORDERING & TECHNICAL DATA

ORDERING INFORMATION AND AMBIENT SUITABILITY						C1D1		C2D1		IEC ZONE 1		IEC ZONE 21	
CATALOG NO.	WEIGHT LBS./KG	WATTS	VOLTAGE	AMPS	DELIVERED LUMENS	40°C	55°C	40°C	55°C	40°C	55°C	40°C	55°C
KF1L09030	46.00 / 20.87	90	120-277VAC	0.72-0.31	7182	T6	T6	(EFG)	Limited Aiming B	T6	T5	160-75	175-90
KF1L09033			347-480VAC	0.25-0.18									
KF1L09034			120-250VDC	0.72-0.28									
KF1L10530		105	120-277VAC	0.85-0.37	8362	T6	T6	(EFG)	Limited Aiming B	T6	T5	160-76	175-91
KF1L10533			347-480VAC	0.29-0.21									
KF1L10534			120-250VDC	0.85-0.33									
KF1L11030		110	120-277VAC	0.95-0.41	10590	T6	T6	(EFG)	Limited Aiming B	T6	T5	160-77	175-92
KF1L11033			347-480VAC	0.33-0.24									
KF1L11034			120-250VDC	0.95-0.37									
KF1L12530		125	120-277VAC	1.10-0.48	11590	T6	T6	(EFG)	Limited Aiming B	T6	T5	160-78	175-93
KF1L12533			347-480VAC	0.38-0.28									
KF1L12534			120-250VDC	1.10-0.43									
KF1L15030		150	120-277VAC	1.25-0.54	13280	T5	-	-	-	T5	-	-	-
KF1L16530		165	120-277VAC	1.38-0.60	13760	T5	-	-	-	T5	-	-	-
KF1L19530		195	120-277VAC	1.63-0.70	15707	T5	-	-	-	T5	-	-	-

Dimensions



KFL MOUNTS AND ACCESSORIES	
CATALOG NUMBER	DESCRIPTION
KFS-6	Steel Slipfitter for 2" Pipe (2-3/8" o.d.) Tenon. Slips 3.75" Over Pipe
KFCB	Heavy Duty Cast-Iron Crossarm Fitting for Horizontal Trunnion
KFWB	Heavy Duty Wall Mount and/or Pipe Clamp Fitting Clamps 2" Pipe (2-3/8" o.d.) Through 2-1/2" Pipe (2-7/8" o.d.)
K4040	Heavy Duty Steel Wall Bracket. (Must be with KFCB Crossarm Fitting)
4041	Heavy Duty Steel Wall Bracket 2" Pipe (2-3/8" o.d.) Tenon Fitting
KFLG	Wire Guard, 316 Stainless Steel
VMSC10	10' Stainless Steel Safety Cable with loop grip
KF1L-DARK	Dark Sky Visor, White Painted Aluminum
KF1L-DOOR	Replacement Door and Lens Assembly



CABLE GLAND ORDERING OPTIONS

CATALOG NUMBER	ENTRY THREAD SIZE (NPT)	CABLE ACCEPTANCE DETAILS	
		DIAMETER 'C'	
		MIN.	MAX.
MCX1B	1/2"	0.51" (13.0)	0.63" (16.0)
MCX1C	1/2"	0.60" (15.2)	0.82" (20.8)
MCX2	3/4"	0.73" (18.5)	1.03" (26.2)

For entire series, please see www.hubbell-killark.com



CERTILITE[®] DESIGN

LIGHTING DESIGN SOFTWARE

Copyright ©2014 All Rights Reserved

- Modern “Ribbon” Windows Interface with “Real Time” Calculations
- Easily import/export of CAD files (DWG/DXF/PDF)
- Enhanced photometric database with luminaire images and wireframes
- Ability to draw round or complex rooms and grids
- False Colors to indicate “Relative Brightness”

See “Lighting Software link” at www.hubbell-killark.com to download

HKSB-KF1L 01-18 © Killark, 2018

KILLARK[®]

Hubbell Killark
3940 Dr. Martin Luther King Drive • St. Louis, MO 63113
Phone: (314) 531-0460 • Fax: (314) 531-7164
www.hubbell-killark.com



Harsh & Hazardous